

## In-line Structure Filter Housing

# GEX-PLY<sup>Type</sup>



### Major Applications

Chemical/ Electronics

### Main Specifications

Design pressure: 0.69MPa

Main materials: SUS304

Inner and Outer surfaces finishing:  
Buffing (# 400)

### Features

- In-line structure and clamp band type adopted

### Advantages

- Fluid does not easily stagnate
- Reduction of liquid loss
- Easy disassembly and cleaning (No tools required)

## End Cap Code

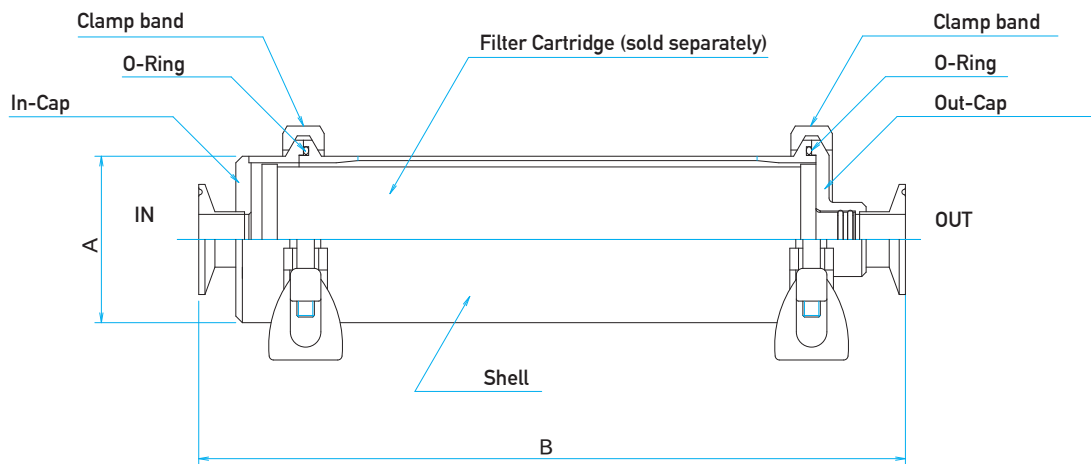
### Code Y



## Ordering Information

Product Type	Filter length	Number of installed filters	O-Ring
GEX-PLY-	<div style="display: flex; justify-content: space-around; border: 1px solid black; padding: 2px;"> <span style="background-color: #800080; color: white; padding: 5px;">2</span> <span style="background-color: #800080; color: white; padding: 5px;">5</span> <span style="background-color: #800080; color: white; padding: 5px;">0</span> </div> <p style="text-align: center;">▼</p> <p>250 = 250mm 500 = 500mm</p>	<div style="display: flex; justify-content: center; align-items: center; gap: 5px;"> <span style="font-size: 2em;">-</span> <span style="font-size: 2em;">01</span> <span style="font-size: 2em;">-</span> </div> <p style="text-align: center;">▼</p> <p>01 = 1pc</p>	<div style="display: flex; justify-content: center; align-items: center; gap: 5px;"> <span style="background-color: #800080; color: white; padding: 5px; border: 1px solid black;">S</span> </div> <p style="text-align: center;">▼</p> <p>S = Silicone E = EPDM N = NBR V = FKM</p>

## Structure



### Specifications

Filter length	250 / 500 mm
End Cap Code	Code Y
In-Cap	SUS304
Clamp band	SCS13
Materials	
Shell	SUS304
Out-Cap	SUS304
O-Ring G-80	NBR, EPDM, Silicone, FKM
Surface finishing	Inner/outer surfaces: Buffing (#400)
Design pressure	0.69MPa at 40°C (100psi at 104°F)

\*If you require a housing made of a material other than the above (SUS316L, etc.) or a filter length or shape other than the above, please inquire separately.

### Dimension

	A	B	Connection diameter
GEX-PLY-250-01	76.3mm	324mm	IDF 1S • Ferrule
GEX-PLY-500-01	76.3mm	575mm	IDF 1S • Ferrule

\*Other connection diameters, shapes, and positions are also available. Please contact us for details.

\*The contents of the catalog are subject to change without notice.

\*The performance data listed in the catalog are Typical values obtained under specific conditions based on our tests.

\*When purchasing a filter housing, be sure to check whether the filtration conditions (fluid, operating temperature, operating pressure, installation location, etc.) are within the housing specifications.

# ROKI GROUP International Pte. Ltd.

6-20-12, Minami-Oi, Shinagawa-ku Tokyo, 140-0013 Japan  
TEL: +81-3-5764-1131 FAX: +81-3-5764-0681

[www.rokiglobal.com](http://www.rokiglobal.com)

Manufacturing is based on our Quality Management Systems that meet ISO9001 standards.

Scope

Design, Development, manufacture, and sales of filter cartridges, housings and filtration equipment.



JQA-QMA16323

MS CM009

4th Issue  
GEX-PLY220203E