



Space-saving/liquid loss reduction structure
single filter housing

GEX-WO Type

Major Applications

Chemical/ Electronics

Main Specifications

Design pressure : 0.69MPa

Main materials : SUS304

Inner and Outer surfaces finishing: Buffed (# 400)

Features

- Designed to reduce retention and extra space
- Designed to no space require for shell removal
- Designed for maintenance Clamp band type adopted

Advantages

- Reduction of liquid loss
- Fluid does not easily stagnate.
- Space saving when replacing filters
- Easy disassembly and cleaning

End Cap Code

Code CZ

Code PZ

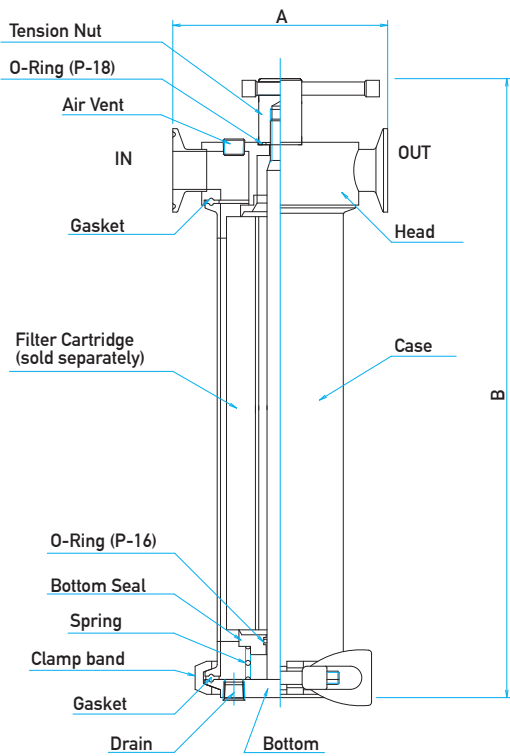
Code F



Ordering Information

Product Type	Filter length	Number of installed filters	Gasket	End Cap Code
GEX-WO-	<div style="display: flex; justify-content: space-around; border: 1px solid black; padding: 2px;"> 2 5 0 </div> <p style="text-align: center;">▼</p> <p>250 = 250mm 500 = 500mm</p>	<p style="text-align: center;">-01-</p> <p style="text-align: center;">▼</p> <p>01 = 1pc</p>	<div style="border: 1px solid black; padding: 2px; text-align: center; width: 30px; height: 30px; margin: 0 auto;">E</div> <p style="text-align: center;">▼</p> <p>S = Silicone E = EPDM N = NBR V = FKM T = PTFE Encapsulated</p>	<p style="text-align: center;">F</p> <p style="text-align: center;">▼</p> <p>F = Code CZ, PZ, F</p>

Structure



Specifications

Filter length	250/500 mm
End Cap Code	Code CZ, PZ, F
Bottom	SUS304
Spring	SUS316
Bottom Seal	SUS304
O-Ring P-18	PTFE
Gasket IDF 3S	NBR, EPDM, Silicone, FKM, PTFE Encapsulated
Case	SUS304
Clamp band	SCS13
Head	SUS304
Tension Nut	SUS304
O-Ring P-16	PTFE
Surface finishing	Inner/outer surfaces: Buffing (#400)
Design pressure	0.69MPa at 40°C (100.1psi at 104°F)

*If you require a housing made of a material other than the above (SUS316L, etc.) or a filter length or shape other than the above, please inquire separately.

Dimension

	A	B	Connection diameter	Drain	Air Vent
GEX-WO-250-01-F	130mm	374.5mm	IDF Ferule 1S	Rc1/4	Rc1/4
GEX-WO-250-01-F	130mm	620.5mm	IDF Ferule 1S	Rc1/4	Rc1/4

*Other connection diameters, shapes, and positions are also available. Please contact us for details.

*The contents of the catalog are subject to change without notice.

*The performance data listed in the catalog are Typical values obtained under specific conditions based on our tests.

*When purchasing a filter housing, be sure to check whether the filtration conditions (fluid, operating temperature, operating pressure, installation location, etc.) are within the housing specifications.

ROKI GROUP International Pte. Ltd.

6-20-12, Minami-Oi, Shinagawa-ku Tokyo, 140-0013 Japan
 TEL: +81-3-5764-1131 FAX: +81-3-5764-0681

www.rokiglobal.com

Manufacturing is based on our Quality Management Systems that meet ISO9001 standards.

Scope

Design, Development, manufacture, and sales of filter cartridges, housings and filtration equipment.



JQA-QMA16323

MS CM009

5th Issue

GEX-WO220205E