

For Q-Flow
Single Filter Housing

MA Type

Major Applications

General Industry

Chemical/ Electronics

Main Specifications

Design pressure: 0.98MPa

Main materials: SUS316

Outer surface finishing:

Electropolishing after buffing

Inner surface finishing : Acid pickling

Features

- Designed for Q-flow filter (outer diameter ϕ 83 mm type)
- Clamp band type adopted

Advantages

- Space-saving installation
- Easy filter replacement

End Cap Code

Code MN

Code E

Code W

Code CZ ^{*1}

Code PZ ^{*1}

Code F ^{*1}



*1 Shape that can be mounted by changing the bottom seal mounting method (only when the mounting filter is Code E)

*2 Dedicated housing for Q Flow Filter Cartridge (O.D. ϕ 83).

Ordering Information

Filter length

2 | 5 | 0



250 = 250mm

500 = 500mm

750 = 750mm

End Cap Code

E



E = Code E, MN, CZ, PZ, F

W = Code W

Product Type

-MA-

Number of installed filters

001



001 = 1pc

O-Ring

N



S = Silicone

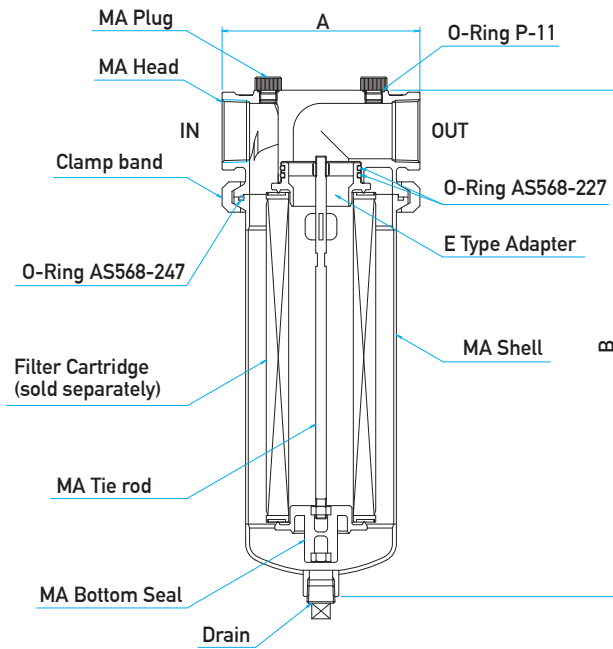
E = EPDM

N = NBR

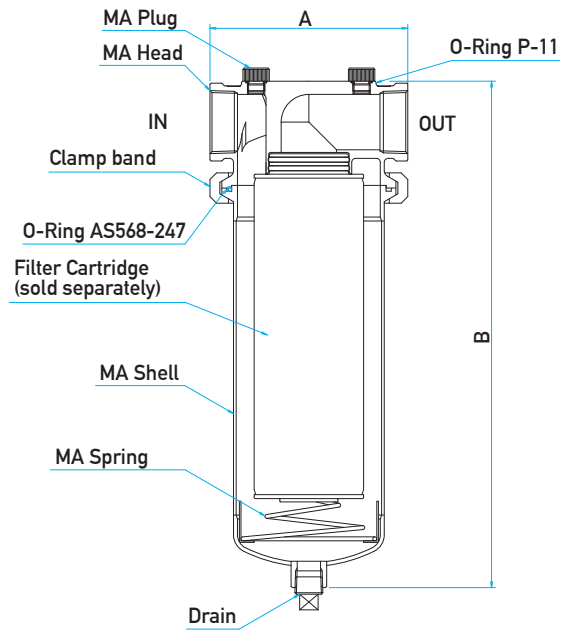
V = FKM

Structure

[250E-MA-001*]



[250W-MA-001*]



Specifications

Filter length	250/500/750 mm	
End Cap Code	Code E (CZ, PZ, F), W	
MA Head	SCS14	
MA Shell	SUS316	
Clamp band	SCS13	
O-Ring: AS568-247	NBR, EPDM, Silicone, FKM	
Materials	MA Plug	SUS316
	E Type Adapter	SCS14
	O-Ring: AS568-227	NBR, EPDM, Silicone, FKM
	MA Tie rod	SUS316
	MA Bottom Seal	SCS14
	MA Spring	SUS316/SUS304
	Surface finishing	Buffing (# 400)/ Electropolishing
	Design pressure	0.98MPa at 40°C (142psi at 104°F)

Dimension

	A	B	Connector	Drain	Air Vent
250 E-MA-001 *	150mm	384mm	Rc1-1/2	Rc1/2	G1/4
250 W-MA-001 *	150mm	384mm	Rc1-1/2	Rc1/2	G1/4
500 E-MA-001 *	150mm	634mm	Rc1-1/2	Rc1/2	G1/4
500 W-MA-001 *	150mm	634mm	Rc1-1/2	Rc1/2	G1/4
750 E-MA-001 *	150mm	884mm	Rc1-1/2	Rc1/2	G1/4
750 W-MA-001 *	150mm	884mm	Rc1-1/2	Rc1/2	G1/4

*Other materials, connection diameters, connection shapes, etc. than those listed above can also be changed. Please contact us for details.

*The contents of the catalog are subject to change without notice.

*The performance data listed in the catalog are Typical values obtained under specific conditions based on our tests.

*When purchasing a filter housing, be sure to check whether the filtration conditions (fluid, operating temperature, operating pressure, installation location, etc.) are within the housing specifications.

ROKI GROUP International Pte. Ltd.

6-20-12, Minami-Oi, Shinagawa-ku Tokyo, 140-0013 Japan
 TEL: +81-3-5764-1131 FAX: +81-3-5764-0681

www.rokiglobal.com

Manufacturing is based on our Quality Management Systems that meet ISO9001 standards.

Scope

Design, Development, manufacture, and sales of filter cartridges, housings and filtration equipment.



JQA-QMA16323

MS CM009

4th Issue
 MA220208E