

## For Q-Flow Multi Filter Housing

# MZ Type

### Major Applications

General Industry

Chemical/ Electronics

### Main Specifications

Design pressure : 0.98MPa  
 Main materials : SUS304  
 Inner and Outer surfaces finishing: Acid pickling

### Features

- Multi-round designed for Q-flow filter (outer diameter  $\phi$  83 mm type)
- Main materials SUS304 specification

### Advantages

- Space-saving installation
- Wide range of fluid compatibility

### End Cap Code

Code MN

Code E

Code W



\*Dedicated housing for Q-Flow Filter Cartridge (O.D.  $\phi$  83).  
 For standard size filters (O.D.  $\phi$  60-70mm), please purchase a separate housing for standard size filters.

### Ordering Information

Filter length

2 5 0

250 = 250mm  
 500 = 500mm  
 750 = 750mm

End Cap Code

E

E = Code E, MN  
 W = Code W

Product Type

-MZ-

Number of installed filters

0 0 6

003 = 3pcs    015 = 15pcs  
 006 = 6pcs    020 = 20pcs  
 009 = 9pcs    028 = 28pcs  
 013 = 13pcs    033 = 33pcs

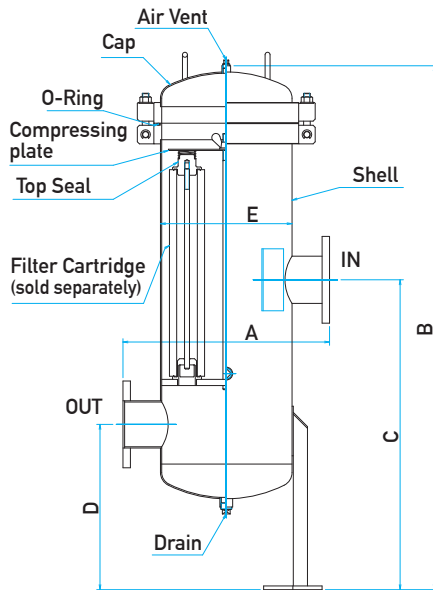
O-Ring

N

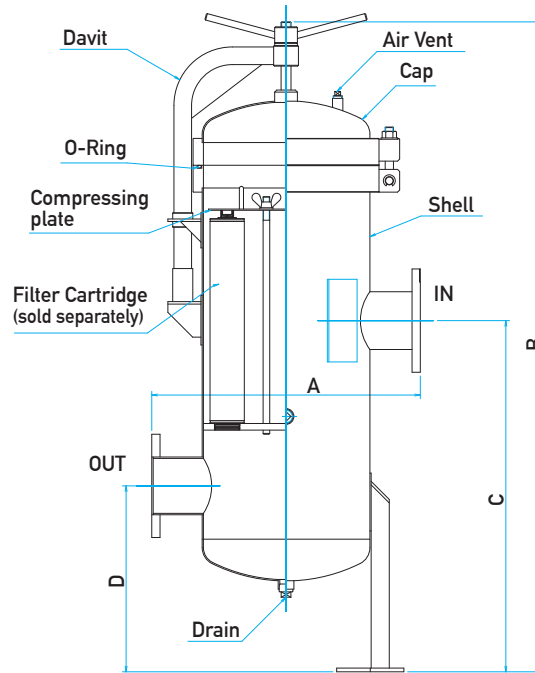
S = Silicone  
 E = EPDM  
 N = NBR  
 V = FKM

## Structure

[750E-MZ-006 \*]



[750W-MZ-020 \*]



\*When purchasing a filter housing, be sure to check whether the filtration conditions (fluid, operating temperature, operating pressure, installation location, etc.) are within the housing specifications.

## Specifications

Filter length	250/500/750 mm
End Cap Code	Code E, W
250mm	3, 6
Number of installed filters by length	3, 6, 9, 13, 15,
	20, 28, 33
500mm	3, 6, 9, 13, 15,
750mm	20, 28, 33
Body / Cap	SUS304
Materials Davit	SUS304
	(For 9, 13, 15, 20, 28 and 33 pcs only)
Top Seal	SUS304
O-Ring	NBR, EPDM, Silicone, FKM
Surface finishing	Inner and outer surface. Acid pickling
Design pressure	0.98MPa at 40°C (142psi at 104°F)

\*Other materials, connection diameters, connection shapes, etc. than those listed above can also be changed. Please contact us for details.

## Dimension

### For 250L Filter Cartridge

	A	B	C	D	E	Connection diameter	Air Vent	Drain
250 * -MZ-003 *	450mm	875mm	550mm	310mm	246mm	80A JIS10K FF	Rc3/8	Rc3/4
250 * -MZ-006 *	500mm	1018mm	650mm	400mm	318.5mm	100A JIS10K FF	Rc3/8	Rc3/4

### For 500L Filter Cartridge

	A	B	C	D	E	Connection diameter	Air Vent	Drain
500 * -MZ-003 *	450mm	1125mm	680mm	310mm	246mm	80A JIS10K FF	Rc3/8	Rc3/4
500 * -MZ-006 *	500mm	1268mm	750mm	400mm	318.5mm	100A JIS10K FF	Rc3/8	Rc3/4
500 * -MZ-009 *	650mm	1573mm	850mm	450mm	406mm	125A JIS10K FF	Rc1/2	Rc1
500 * -MZ-013 *	700mm	1578mm	900mm	460mm	456mm	150A JIS10K FF	Rc1/2	Rc1
500 * -MZ-015 *	750mm	1696mm	900mm	500mm	506mm	200A JIS10K FF	Rc1/2	Rc1
500 * -MZ-020 *	850mm	1750mm	950mm	530mm	578mm	200A JIS10K FF	Rc1/2	Rc1-1/2
500 * -MZ-028 *	950mm	1897mm	1100mm	610mm	658mm	250A JIS10K FF	Rc1/2	Rc1-1/2
500 * -MZ-033 *	1000mm	1946mm	1150mm	630mm	708mm	250A JIS10K FF	Rc1/2	Rc1-1/2

### For 750L Filter Cartridge

	A	B	C	D	E	Connection diameter	Air Vent	Drain
750 * -MZ-003 *	450mm	1375mm	800mm	310mm	246mm	80A JIS10K FF	Rc3/8	Rc3/4
750 * -MZ-006 *	500mm	1518mm	950mm	400mm	318.5mm	100A JIS10K FF	Rc3/8	Rc3/4
750 * -MZ-009 *	650mm	1823mm	1000mm	450mm	406mm	125A JIS10K FF	Rc1/2	Rc1
750 * -MZ-013 *	700mm	1828mm	1000mm	460mm	456mm	150A JIS10K FF	Rc1/2	Rc1
750 * -MZ-015 *	750mm	1946mm	1000mm	500mm	506mm	200A JIS10K FF	Rc1/2	Rc1
750 * -MZ-020 *	850mm	2000mm	1100mm	530mm	578mm	200A JIS10K FF	Rc1/2	Rc1-1/2
750 * -MZ-028 *	950mm	2147mm	1200mm	610mm	658mm	250A JIS10K FF	Rc1/2	Rc1-1/2
750 * -MZ-033 *	1000mm	2196mm	1300mm	630mm	708mm	250A JIS10K FF	Rc1/2	Rc1-1/2

\*The above model number \* indicates the O-ring code and the shape of the filter to be installed.

\*When the number of filters installed is 9 or more (for both 500 and 750), a davit (lid suspension mechanism) is provided.

\*Other connection diameters, shapes, and positions are also available. Please contact us for details.

\*The contents of the catalog are subject to change without notice.

\*The performance data listed in the catalog are Typical values obtained under specific conditions based on our tests.

\*When purchasing a filter housing, be sure to check whether the filtration conditions (fluid, operating temperature, operating pressure, installation location, etc.) are within the housing specifications.

# ROKI GROUP International Pte. Ltd.

6-20-12, Minami-Oi, Shinagawa-ku Tokyo, 140-0013 Japan  
TEL: +81-3-5764-1131 FAX: +81-3-5764-0681

www.rokiglobal.com

Manufacturing is based on our Quality Management Systems that meet ISO9001 standards.

Scope  
Design, Development, manufacture, and sales of filter cartridges, housings and filtration equipment.



JQA-QMA16323

MS CM009

3rd Issue  
MZ220209E