



## 100% Polypropylene Single Filter Housing

# RC Type

### Major Applications

General Industry

Food & Beverage

Chemical/ Electronics

### Main Specifications

Design pressure: 0.49MPa

Main materials: Polypropylene

### Features

- 100% Polypropylene

### Advantages

- Lightweight and cost effective
- Excellent chemical resistance to acids, alkalis, etc.

### End Cap Code

Code CZ

Code PZ

Code F

Code 0



### Ordering Information

Filter length

**250**

250 = 250mm

End Cap Code

**F**

F = Code CZ, PZ, F  
0 = Code 0

Product Type

**-RC-**

Number of installed filters

**001**

001 = 1pc

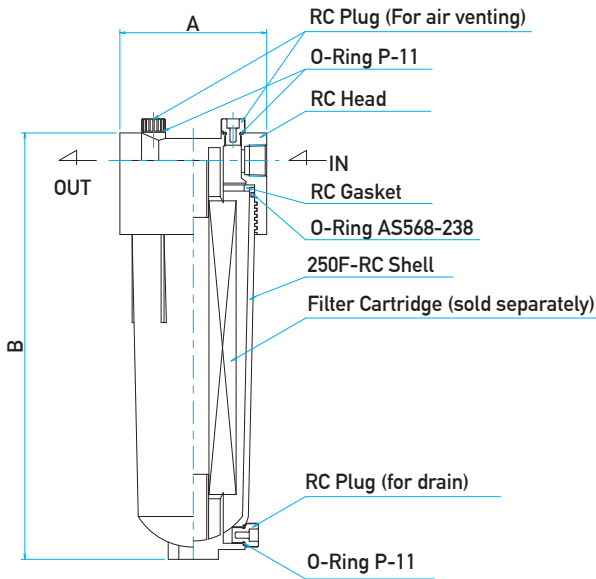
O-Ring

**N**

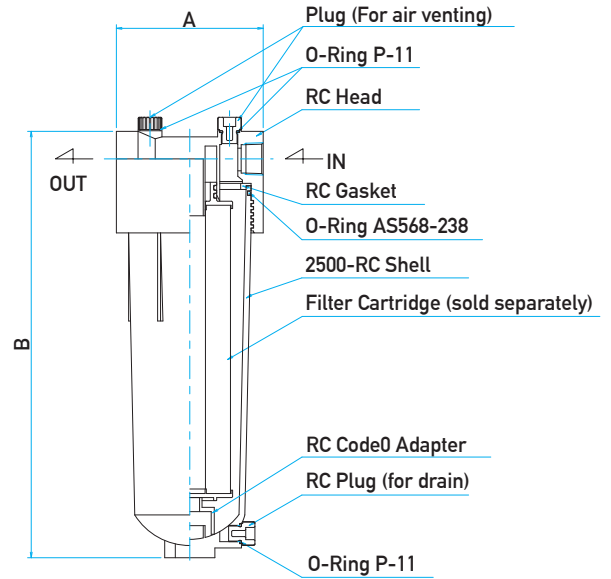
S = Silicone  
E = EPDM  
N = NBR  
V = FKM

## Structure

[250F-RC-001]



[2500-RC-001]



### Specifications

Filter length	250 mm
End Cap Code	Code CZ, PZ, F, 0
RC Head	Polypropylene
RC Shell	Polypropylene
RC Plug	Polypropylene
Materials RC Code0 Adapter	Polypropylene (for End Cap Code 0 only)
RC Gasket	NBR, EPDM, Silicone, FKM
O-Ring AS568-238	NBR, EPDM, Silicone, FKM
O-Ring P-11	NBR, EPDM, Silicone, FKM
Design pressure	0.49MPa at 40°C (71psi at 104°F)

### Dimension

	A	B	Connector	Air venting/ Drain
250F-RC-001	120mm	360mm	Rc3/4	G1/4
2500-RC-001	120mm	360mm	Rc3/4	G1/4

\*If you require a housing with filter length other than those listed above, please inquire separately.

\*If you have any questions, please contact us.

\*The contents of the catalog are subject to change without notice.

\*The performance data listed in the catalog are Typical values obtained under specific conditions based on our tests.

\*When purchasing a filter housing, be sure to check whether the filtration conditions (fluid, operating temperature, operating pressure, installation location, etc.) are within the housing specifications.

# ROKI GROUP International Pte. Ltd.

6-20-12, Minami-Oi, Shinagawa-ku Tokyo, 140-0013 Japan  
TEL: +81-3-5764-1131 FAX: +81-3-5764-0681

[www.rokiglobal.com](http://www.rokiglobal.com)

Manufacturing is based on our Quality Management Systems that meet ISO9001 standards.

Scope

Design, Development, manufacture, and sales of filter cartridges, housings and filtration equipment.



8th Issue  
RC220211E