



For General Use Multi-Round Filter Housing SMC Type

Major Applications

General Industry

Food & Beverage

Chemical/ Electronics

Main Specifications

Design pressure: 0.69MPa

Main materials: SUS304

Inner and Outer surfaces finishing: Acid pickling

Features

- Specification is customizable.
- Standardized specifications from 3 to 60 pcs.

Advantages

- Customizable to desired specification
- Selectable housing sizes

Accessory

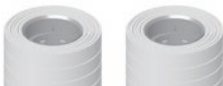
- Various accessories are available.

We can accommodate your requests for filtration units utilizing valves, pressure gauges, and pumps.



End Cap Code

Code CZ



Code PZ



Code F



Code 0



Code 5



Ordering Information

Product Type

SMC-

Filter length

2 5 0

250 = 250mm
500 = 500mm
750 = 750mm

Number of installed filters

- 0 6 -

03 = 3pcs 15 = 15pcs 40 = 40pcs
06 = 6pcs 20 = 20pcs 50 = 50pcs
09 = 9pcs 25 = 25pcs 60 = 60pcs
12 = 12pcs 30 = 30pcs

O-Ring

E

S = Silicone
E = EPDM
N = NBR
V = FKM

End Cap Code

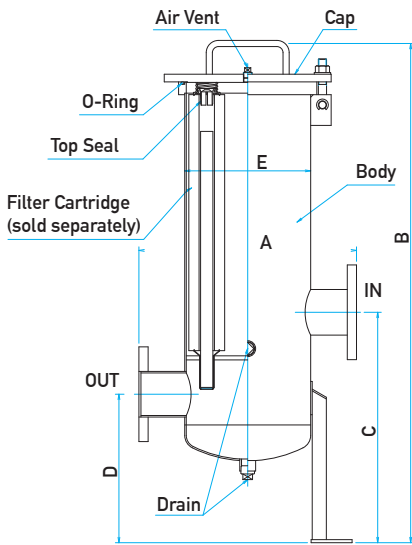
F

F = Code CZ, PZ, F
0 = Code 0
5 = Code 5

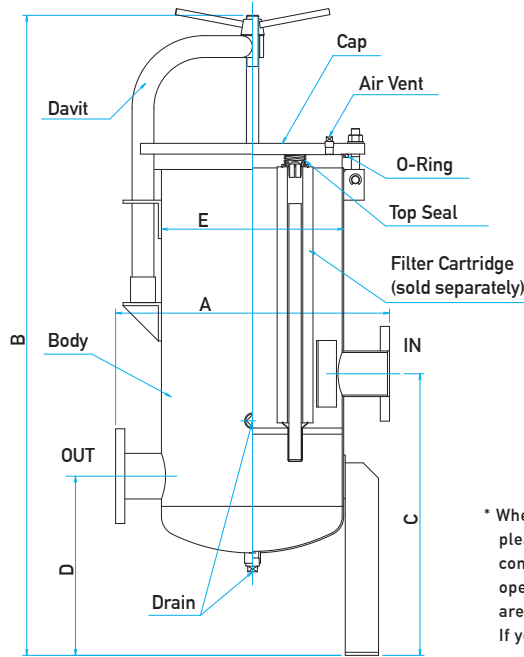
*The set number of installed filter cartridges varies depending on the length of the filter cartridge installed (see specifications column on reverse side).

Structure

[SMC-750-06- * F]



[SMC-750-20- * F]



* When purchasing a filter housing, please make sure to check that the filtration conditions (fluid, operating temperature, operating pressure, installation location, etc.) are within specifications of the housing. If you have any questions, please contact us.

Specifications

Filter length	250 / 500 / 750 mm	
End Cap Code	Code CZ, PZ, F, O, 5	
Number of installed filters by length	250mm	3, 6
	500mm	3, 6, 9, 12, 15, 20, 25, 30, 40, 50, 60
	750mm	3, 6, 9, 12, 15, 20, 25, 30, 40, 50, 60
Body	SUS304	
Materials	Davit	SUS304 (1For 15, 20, 25, 30, 40, 50 and 60 pcs only)
	Top Seal	Polypropylene
O-Ring	NBR, EPDM, Silicone, FKM	
Surface finishing	Inner and outer surface: Acid pickling	
Design pressure	0.69MPa at 40°C (100psi at 104°F)	

*If you require a housing made of a material other than the above (SUS316, 316L, etc.) or with length, shape, or number of filters other than those listed above, please consult us separately.

*When using under high temperature conditions, the above top seal material can be changed to stainless steel.

Dimension

For 250L Filter Cartridge

	A	B	C	D	E	Connection diameter	Air Vent	Drain
SMC-250-03- * F	345mm	670mm	390mm	255mm	165.2mm	50A JIS10K FF	Rc3/8	Rc3/4
SMC-250-06- * F	425mm	725mm	450mm	290mm	246.0mm	50A JIS10K FF	Rc3/8	Rc3/4

For 500L Filter Cartridge

	A	B	C	D	E	Connection diameter	Air Vent	Drain
SMC-500-03- * F	345mm	920mm	390mm	255mm	165.2mm	50A JIS10K FF	Rc3/8	Rc3/4
SMC-500-06- * F	425mm	975mm	450mm	290mm	246.0mm	80A JIS10K FF	Rc3/8	Rc3/4
SMC-500-09- * F	490mm	1040mm	550mm	350mm	306.0mm	80A JIS10K FF	Rc3/8	Rc3/4
SMC-500-12- * F	500mm	1045mm	550mm	350mm	318.5mm	80A JIS10K FF	Rc3/8	Rc3/4
SMC-500-15- * F	535mm	1250mm	550mm	350mm	356.0mm	80A JIS10K FF	Rc3/8	Rc3/4
SMC-500-20- * F	585mm	1290mm	740mm	390mm	406.0mm	100A JIS10K FF	Rc3/8	Rc3/4
SMC-500-25- * F	635mm	1330mm	740mm	430mm	456.0mm	100A JIS10K FF	Rc3/8	Rc3/4
SMC-500-30- * F	705mm	1390mm	740mm	470mm	506.0mm	125A JIS10K FF	Rc3/8	Rc3/4
SMC-500-40- * F	775mm	1485mm	850mm	500mm	576.0mm	150A JIS10K FF	Rc3/8	Rc3/4
SMC-500-50- * F	860mm	1520mm	900mm	520mm	658.0mm	150A JIS10K FF	Rc3/8	Rc3/4
SMC-500-60- * F	910mm	1550mm	900mm	540mm	708.0mm	150A JIS10K FF	Rc3/8	Rc3/4

For 750L Filter Cartridge

	A	B	C	D	E	Connection diameter	Air Vent	Drain
SMC-750-03- * F	345mm	1170mm	390mm	255mm	165.2mm	50A JIS10K FF	Rc3/8	Rc3/4
SMC-750-06- * F	425mm	1225mm	450mm	290mm	246.0mm	80A JIS10K FF	Rc3/8	Rc3/4
SMC-750-09- * F	490mm	1290mm	550mm	350mm	306.0mm	80A JIS10K FF	Rc3/8	Rc3/4
SMC-750-12- * F	500mm	1295mm	550mm	350mm	318.5mm	80A JIS10K FF	Rc3/8	Rc3/4
SMC-750-15- * F	535mm	1500mm	550mm	350mm	356.0mm	80A JIS10K FF	Rc3/8	Rc3/4
SMC-750-20- * F	585mm	1540mm	740mm	390mm	406.0mm	100A JIS10K FF	Rc3/8	Rc3/4
SMC-750-25- * F	635mm	1580mm	740mm	430mm	456.0mm	100A JIS10K FF	Rc3/8	Rc3/4
SMC-750-30- * F	705mm	1640mm	740mm	470mm	506.0mm	125A JIS10K FF	Rc3/8	Rc3/4
SMC-750-40- * F	775mm	1735mm	850mm	500mm	576.0mm	150A JIS10K FF	Rc3/8	Rc3/4
SMC-750-50- * F	860mm	1770mm	900mm	520mm	658.0mm	150A JIS10K FF	Rc3/8	Rc3/4
SMC-750-60- * F	910mm	1800mm	900mm	540mm	708.0mm	150A JIS10K FF	Rc3/8	Rc3/4

*The above model number * indicates the O-ring code. In addition, dimensions are given only for code CZ, PZ, and F. *When 15pcs or more filters are installed (for both 500L and 750L), a davit (lid suspension mechanism) is included. *Other connection diameters, shapes, and positions are also available. Please contact us for details.

*The contents of the catalog are subject to change without notice.

*The performance data listed in the catalog are Typical values obtained under specific conditions based on our tests.

*When purchasing a filter housing, be sure to check whether the filtration conditions (fluid, operating temperature, operating pressure, installation location, etc.) are within the housing specifications.

ROKI GROUP International Pte. Ltd.

6-20-12, Minami-Oi, Shinagawa-ku Tokyo, 140-0013 Japan
TEL: +81-3-5764-1131 FAX: +81-3-5764-0681

www.rokiglobal.com

Manufacturing is based on our Quality Management Systems that meet ISO9001 standards.

Scope
Design, Development, manufacture, and sales of filter cartridges, housings and filtration equipment.



7th Issue
SMC20213E