

Sanitary Specifications Filter Housing

SSC Type

Major Applications

General Industry

Food & Beverage

Chemical/ Electronics

Main Specifications

Design pressure: 0.69MPa

Main materials: SUS304

Inner and Outer surfaces finishing:
Buffed (# 400)

Features

- Sanitary Type
- Specification is customizable.
- Standardized specifications from 1 to 36 pcs.

Advantages

- Easy disassembly and cleaning
- Customizable to desired specification
- Selectable housing sizes

Accessory

- Various accessories are available.

We can accommodate your requests for filtration units utilizing valves, pressure gauges, and pumps.



End Cap Code

Code 0



Code 5



Code 7



Ordering Information

Product Type

SSC-

Filter length

7 5 0



125 = 125mm
250 = 250mm
500 = 500mm
750 = 750mm

Number of installed filters

- 1 2 -



01 = 1pc 12 = 12pcs
03 = 3pcs 24 = 24pcs
06 = 6pcs 36 = 36pcs

O-Ring

N



S = Silicone
E = EPDM
N = NBR
V = FKM
T = PTFE(for 1pc) /
FEP Encapsulated FKM

End Cap Code

7

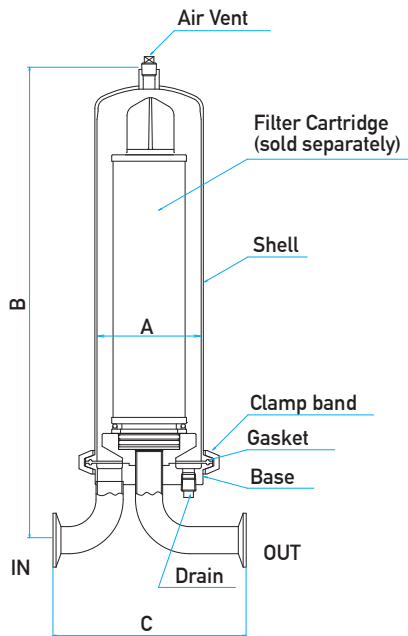


0 = Code 0
5 = Code 5
7 = Code 7

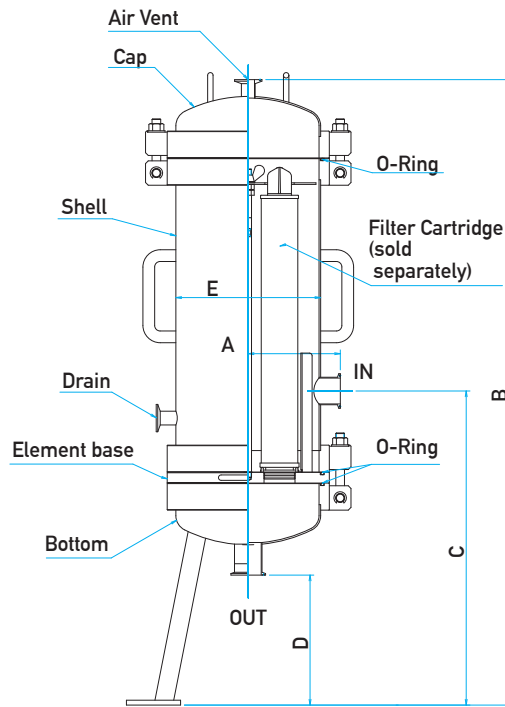
*The set number of installed filter cartridges varies depending on the length of the filter cartridge installed (see specifications column on reverse side).

Structure

[SSC-250-01 - * 7]



[SSC-750-06 - * 7]



*When purchasing a filter housing, be sure to check whether the filtration conditions (fluid, operating temperature, operating pressure, installation location, etc.) are within the housing specifications.

Specifications

Filter length	125 / 250 / 500 / 750 mm
End Cap Code	Code 0, 5, 7
Number of installed filters by length	125mm: 1
	250mm: 1, 3, 6
	500mm: 1, 3, 6, 12, 24
	750mm: 1, 3, 6, 12, 24, 36
Body (Main parts)	SUS304
Davit	SUS304 (For 24 and 36 pcs only)
Materials	Gasket: NBR, EPDM, Silicone, FKM, PTFE
	O-Ring: NBR, EPDM, Silicone, FKM, FEP Encapsulated FKM
Surface finishing	Inner and outer surface buffing (# 400)
Design pressure	0.69MPa at 40°C (100psi at 104°F)

*If you require a housing made of a material other than the above (SUS316, 316L, etc.) or with length, shape, or number of filters other than those listed above, please consult us separately.

Dimension

Single type

	A	B	C	Connection diameter	Air Vent/ Drain
SSC-125-01 - * *	102mm	311mm	181mm	IDF 1S • Ferrule	Rc1/4
SSC-250-01 - * *	102mm	441mm	181mm	IDF 1S • Ferrule	Rc1/4
SSC-500-01 - * *	102mm	696mm	181mm	IDF 1S • Ferrule	Rc1/4
SSC-750-01 - * *	102mm	953mm	181mm	IDF 1S • Ferrule	Rc1/4

Multi type (for 250L filter)

	A	B	C	D	E	Connection diameter	Air Vent/ Drain
SSC-250-03 - * *	140mm	820mm	510mm	210mm	216mm	IDF 2S • Ferrule	IDF 1S • Ferrule
SSC-250-06 - * *	170mm	885mm	580mm	240mm	267mm	IDF 2S • Ferrule	IDF 1S • Ferrule

Multi type (for 500L filter)

	A	B	C	D	E	Connection diameter	Air Vent/ Drain
SSC-500-03 - * *	140mm	1070mm	510mm	210mm	216mm	IDF 2S • Ferrule	IDF 1S • Ferrule
SSC-500-06 - * *	170mm	1155mm	580mm	240mm	267mm	IDF 2S • Ferrule	IDF 1S • Ferrule
SSC-500-12 - * *	230mm	1245mm	650mm	300mm	356mm	IDF 3S • Ferrule	IDF 1S • Ferrule
SSC-500-24 - * *	303mm	1599mm	800mm	350mm	506mm	IDF 4S • Ferrule	IDF 1S • Ferrule

Multi type (for 750L filter)

	A	B	C	D	E	Connection diameter	Air Vent/ Drain
SSC-750-03 - * *	140mm	1320mm	510mm	210mm	216mm	IDF 2S • Ferrule	IDF 1S • Ferrule
SSC-750-06 - * *	170mm	1405mm	580mm	240mm	267mm	IDF 2S • Ferrule	IDF 1S • Ferrule
SSC-750-12 - * *	230mm	1495mm	650mm	300mm	356mm	IDF 3S • Ferrule	IDF 1S • Ferrule
SSC-750-24 - * *	303mm	1849mm	800mm	350mm	506mm	IDF 4S • Ferrule	IDF 1S • Ferrule
SSC-750-36 - * *	350mm	1909mm	830mm	350mm	606mm	IDF 5S • Ferrule	IDF 1S • Ferrule

*The above model number * indicates the O-ring code and the shape of the filter to be installed.
 *When 24pcs or more filters are installed (for both 500L and 750L), a davit (lid suspension mechanism) is included.
 *Other connection diameters, shapes, and positions are also available. Please contact us for details.

*The contents of the catalog are subject to change without notice.

*The performance data listed in the catalog are Typical values obtained under specific conditions based on our tests.

*When purchasing a filter housing, be sure to check whether the filtration conditions (fluid, operating temperature, operating pressure, installation location, etc.) are within the housing specifications.

ROKI GROUP International Pte. Ltd.

6-20-12, Minami-Oi, Shinagawa-ku Tokyo, 140-0013 Japan
 TEL: +81-3-5764-1131 FAX: +81-3-5764-0681

www.rokiglobal.com

Manufacturing is based on our Quality Management Systems that meet ISO9001 standards.

Scope
 Design, Development, manufacture, and sales of filter cartridges, housings and filtration equipment.



JQA-QMA16323

MS CM009

9th Issue
 SSC220214E