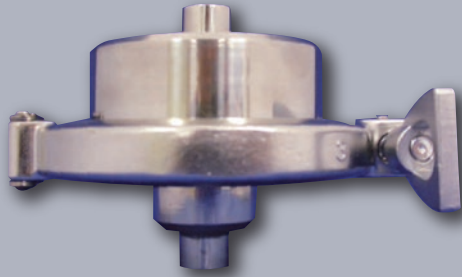


For laboratory
Single Filter Housing

UD Type



Major Applications

Lab-scale evaluation of various liquids

Low-volume production

Main Specifications

Design pressure : 0.49MPa
 Main materials : SUS304
 Inner and Outer surfaces finishing: Buffed (# 400)
 Liquid loss volume : 84ml

*The amount of liquid is manufacturer calculated value.
 This value may increase or decrease depending on
 the type of built-in filter.

Features

- Compact design
- Clamp band is used for attachment and removal

Advantages

- Reduction of liquid loss
- Simple filtration evaluation
- Can be dismantled without tools

End Cap Code

Code Y



Compatible filter model number

Length

25L

▼
25L = 25mm

Filter part number

S H P - 0 2 0

▼
*Please contact our sales representative for
 availability of various filter part numbers.

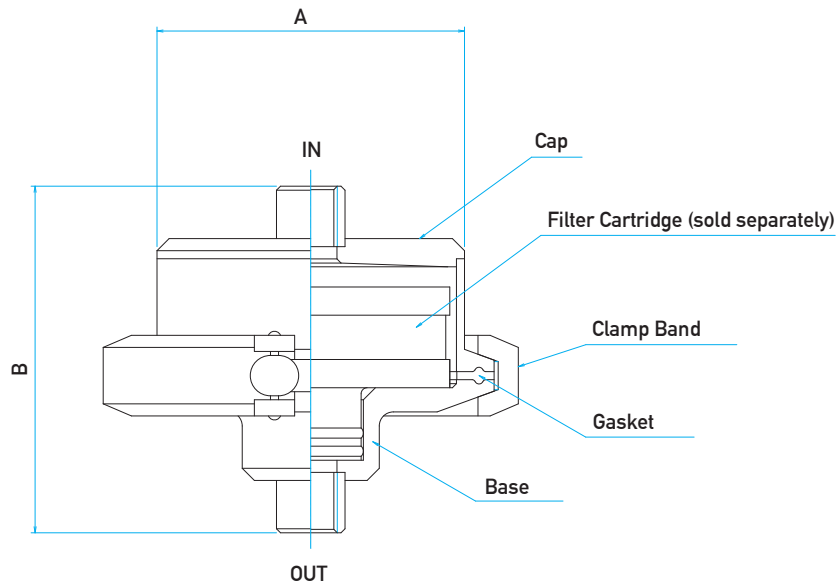
Filter Micron Rating

O-Ring

E Y

▼
S = Silicone
 E = EPDM
 N = NBR
 V = FKM

Structure



Specifications

| | |
|-------------------|---|
| Filter length | 25mm |
| End Cap Code | Code Y (P-22 O-Ring) |
| Cap | SUS304 |
| Clamp Band | SCS13 |
| Gasket IDF 3S | NBR, EPDM, Silicone, FKM, PTFE Encapsulated |
| Base | SUS304 |
| Surface finishing | Inner and outer surface buffing (# 400) |
| Design pressure | 0.49MPa at 40°C (71psi at 104°F) |

Dimension

| | A | B | Connection diameter |
|-------|--------|------|---------------------|
| UD-25 | 76.3mm | 86mm | G1/4 |

*Other materials, connection diameters, connection shapes, etc. than those listed above can also be changed. Please contact us for details.

*The contents of the catalog are subject to change without notice.

*The performance data listed in the catalog are Typical values obtained under specific conditions based on our tests.

*When purchasing a filter housing, be sure to check whether the filtration conditions (fluid, operating temperature, operating pressure, installation location, etc.) are within the housing specifications.

ROKI GROUP International Pte. Ltd.

6-20-12, Minami-Oi, Shinagawa-ku Tokyo, 140-0013 Japan

TEL: +81-3-5764-1131 FAX: +81-3-5764-0681

www.rokiglobal.com

Manufacturing is based on our Quality Management Systems that meet ISO9001 standards.

Scope

Design, Development, manufacture, and sales of filter cartridges, housings and filtration equipment.



JQA-QMA16323

TMS CM009

5th Issue
UD220215E