

LABO-PURE

LPX_{Type}

Major Applications

Small to medium scale production applications

Examples: Coating liquids, slurries, inks and pastes



Features

- Polypropylene capsule filter with no housing required
- Ferrule shape for inlet and outlet
- Vent and drain designed at same orientation.
- Wide selection of built-in filters
- Designed to withstand high pressure (0.6MPa)

Advantages

- No need to clean housing
- Simple filtration evaluation
- Easy connection
- Low contamination risk
- Vertical or horizontal installation can be selected to suit the purpose.
- Filters can be selected according to the purpose.
- Applicable to high-viscosity liquid filtration

Liquid loss by size

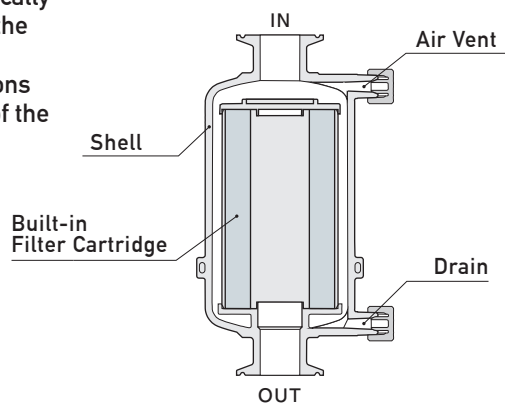
	Built-in filter length	Liquid loss volume
LPA	25mm	132ml
LPH	62.5mm	269ml
LPE	125mm	499ml
LPJ	250mm	957ml
LPS	50mm	127ml
LPM	100mm	218ml
LPX	125mm	532ml
LPD	-	a little

* The amount of liquid is manufacturer calculated value. This value may increase or decrease depending on the type of built-in filter.

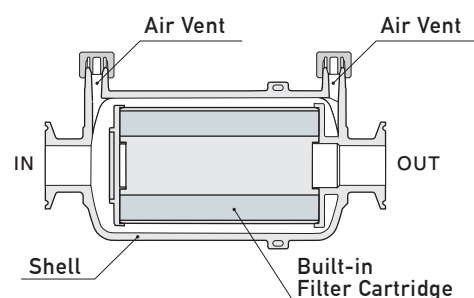
Internal structure

The LPX type can be set vertically or horizontally in relation to the direction of piping. The air vent and drain functions depend on the set direction of the LPX type.

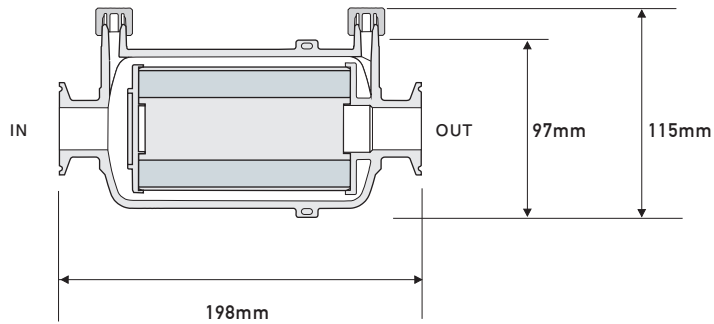
Usage example: Vertical piping



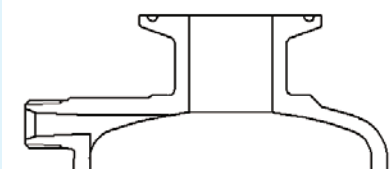
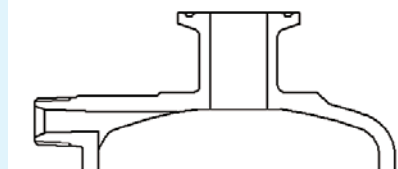
Usage example: Horizontal piping



Dimension



Connector options

Joint shape of connectors		
Joint code	1S	15A
IN / OUT	IDF 1S·Ferrule	IDF 15A·Ferrule
Vent / Drain	R1/4	R1/4

* The gasket for the ferrule and the clamp band are not included.
 * Compatible gasket materials: EPDM, FKM, silicone, NBR

Specifications

Built-in filter length	125mm
O.D. of Shell	φ97mm
Filter	Refer to the material of the selected inside filter.
Materials Shell	Polypropylene
Vent Cap	Polypropylene
Maximum Operating Pressure	0.6MPa at 20°C (87psi at 68°F)
Maximum Operating Temp	60°C (140°F)
Sterilization method	Autoclavable (135°C for 30 minutes)*1

*1 Compatible only with 1S ferrule type
 *2 Please remove the vent cap when autoclaving.
 *3 Many ROKI TECHNO filters can be built in, but some are not available. Please contact us about available filters.

Ordering Information

Product Type <div style="font-size: 24px; font-weight: bold; text-align: center;">LPX</div>	Filter Cartridge Product Type <div style="font-size: 24px; font-weight: bold; text-align: center;">- M P X -</div>	Micron Rating <div style="font-size: 24px; font-weight: bold; text-align: center;">0 1 2</div>	Joint code <div style="font-size: 24px; font-weight: bold; text-align: center;">- 1 S</div>
	▼	▼	▼
	* Please refer to the catalogs and specify the part number. (Some part numbers are not available.)	* For Micron rating, please refer to each filter catalog.	1S = IDF 1S·Ferrule 15A = IDF15A·Ferrule

* The contents of the catalog are subject to change without notice.
 * When used for filtration of organic solvents, antistatic measures may be required.
 * The performance data listed in the catalog are Typical values obtained under specific conditions based on our tests.