

LABO-PURE

# LPX<sub>Type</sub>

## Major Applications

Small to medium scale production applications

Examples: Coating liquids, slurries, inks and pastes



### Features

- Polypropylene capsule filter with no housing required
- Ferrule shape for inlet and outlet
- Vent and drain designed at same orientation.
- Wide selection of built-in filters
- Designed to withstand high pressure (0.6MPa)

### Advantages

- No need to clean housing
- Simple filtration evaluation
- Easy connection
- Low contamination risk
- Vertical or horizontal installation can be selected to suit the purpose.
- Filters can be selected according to the purpose.
- Applicable to high-viscosity liquid filtration

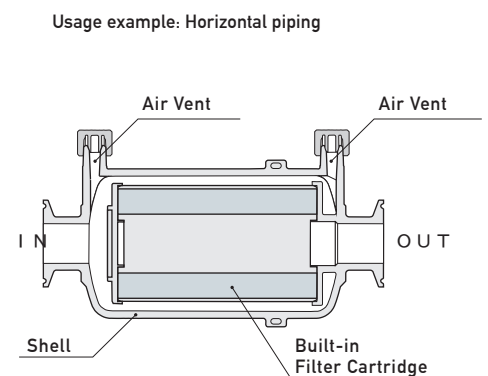
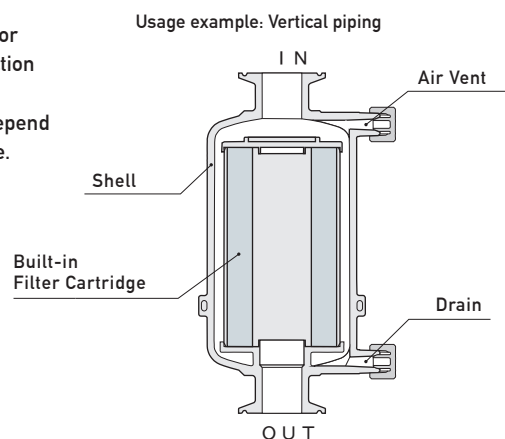
### Liquid loss by size

	Built-in filter length	Liquid loss volume
LPA	25mm	132ml
LPH	62.5mm	269ml
LPE	125mm	499ml
LPJ	250mm	957ml
LPS	50mm	127ml
LPM	100mm	218ml
LPX	125mm	532ml
LPD	-	a little

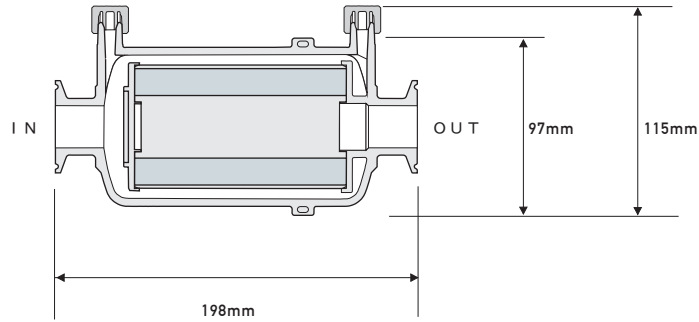
\* The amount of liquid is manufacturer calculated value. This value may increase or decrease depending on the type of built-in filter.

## Internal structure

The LPX type can be set vertically or horizontally in relation to the direction of piping.  
The air vent and drain functions depend on the set direction of the LPX type.



## Dimension



## Connector options

Joint shape of connectors			
	Joint code	1S	15A
	IN/OUT	IDF 1S · Ferrule	IDF 15A · Ferrule
Vent/Drain	R1/4	R1/4	

- \* The gasket for the ferrule and the clamp band are not included.
- \* Compatible gasket materials: EPDM, FKM, silicone, NBR

## Specifications

Built-in filter length	125mm	
O.D. of Shell	φ 97mm	
Filter	Refer to the material of the selected inside filter.	
Materials	Shell	Polypropylene
	Vent Cap	Polypropylene
Maximum Operating Pressure	0.6MPa at 20°C (87psi at 68°F)	
Maximum Operating Temp	60°C (140°F)	
Sterilization method	Autoclavable (135°C for 30 minutes)*1	

- \*1 Compatible only with 1S ferrule type
- \*2 Please remove the vent cap when autoclaving.
- \*3 Many ROKI TECHNO filters can be built in, but some are not available. Please contact us about available filters.

## Ordering Information

Product Type	Filter Cartridge Product Type	Micron Rating	Joint code
LPX	- M P X -	0 1 2	- 1 S
	▼	▼	▼
	* Please refer to the catalogs and specify the part number. (Some part numbers are not available.)	* For Micron rating, please refer to each filter catalog.	1S = IDF 1S · Ferrule 15A = IDF15A · Ferrule

- \* The contents of the catalog are subject to change without notice.
- \* When used for filtration of organic solvents, antistatic measures may be required.
- \* The performance data listed in the catalog are Typical values obtained under specific conditions based on our tests.

**ROKI GROUP International Pte. Ltd.**

6-20-12, Minami-Oi, Shinagawa-ku Tokyo, 140-0013 Japan  
TEL: +81-3-5764-1131 FAX: +81-3-5764-0681

[www.rokiglobal.com](http://www.rokiglobal.com)

Manufacturing is based on our Quality Management Systems that meet ISO9001 standards.

Scope  
Design, Development, manufacture, and sales of filter cartridges, housings and filtration equipment.



16th Issue  
LPX200305E