



Ez-Change™
Capsule Filter Cartridge

XB • AD Type

Major Applications

- Coating liquids
- Slurry
- Ink
- Paste

Related Videos (YouTube)

Click on the QR code to watch the video on You Tube.



Ez-Change introduction video

Features

- Polypropylene capsule filter for easy replacement
- Built-in check valve
- Minimum hold up volume

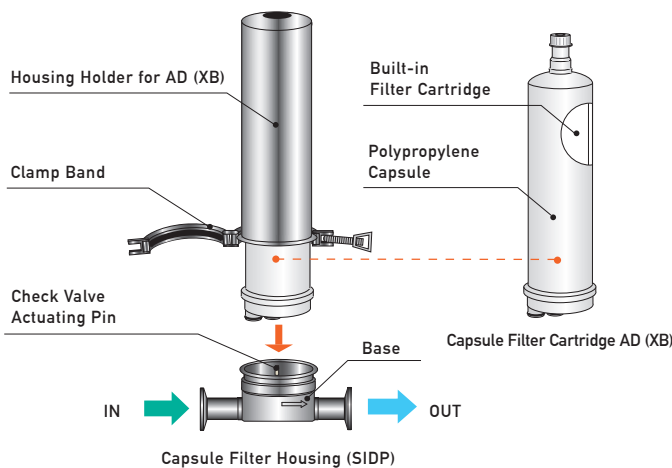
Advantages

- Significantly reduces operation time
- Liquid is confined, limits exposure.
- Minimal dripping
- Reduction of liquid loss

Structure

	Number of Built in Filters	Air vent	length of built-in filter cartridge			
			62.5	125	250	500
X B	1pc	-	○	○	○	○
A D	1pc	Upstream	○	○	○	○
W K	1pc	Upstream + Downstream	○	○	○	○
X W	7pcs	-		○	○	○
A W	7pcs	Upstream		○	○	○

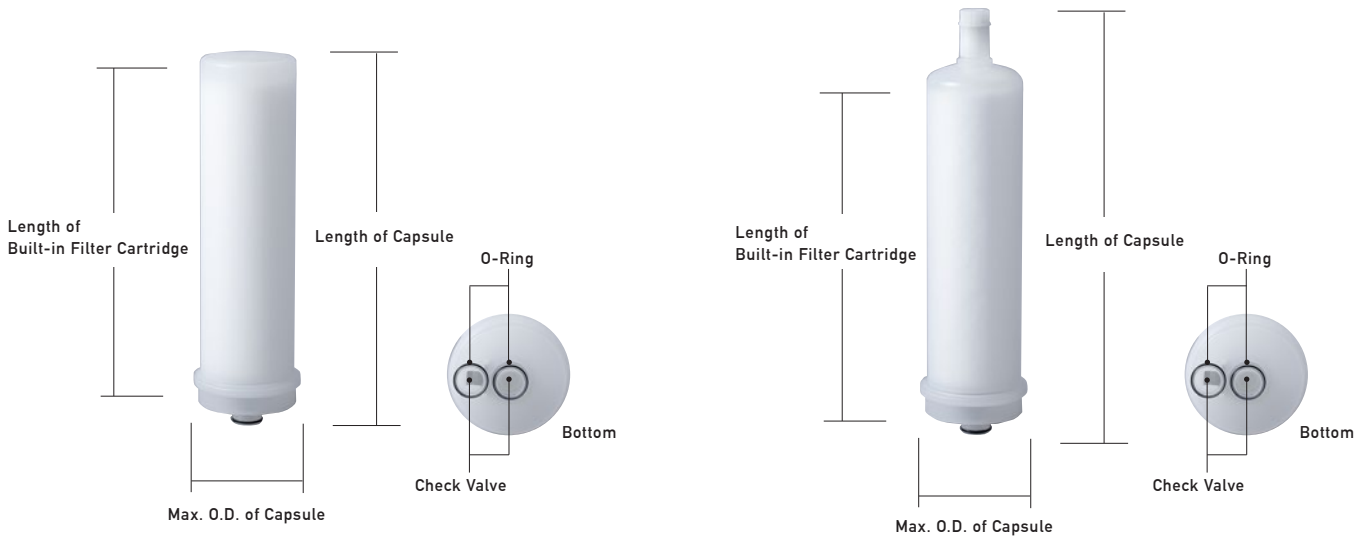
Internal structure



Capsule Filter Cartridge Lineup

XB (Without Air Vent)

AD (With Primary Air Vent, Dome-Shaped)



Capsule Filter Cartridge Specifications

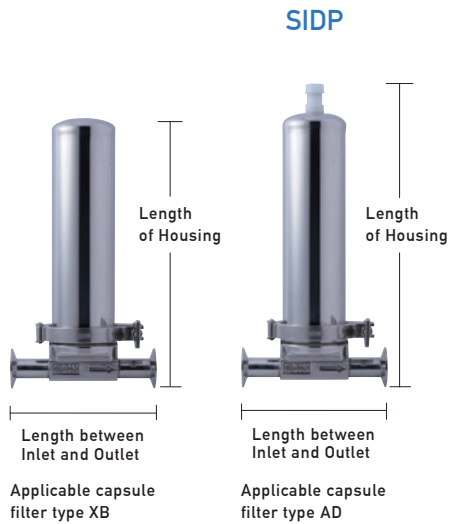
Product Type	XB	AD
Length of Built-in Filter Cartridge	62.5 / 125 / 250 / 500 mm	
No. of built-in filters	1pc	
Length of Capsule	100 / 166 / 294 / 544 mm	149 / 215 / 339 / 589 mm
Max. O.D. of Capsule	φ 88mm	
Capsule material	Polypropylene	
Check valve material	Seal = Polypropylene / Spring = SUS	
O-Ring material	EPDM / Silicone / NBR / FKM	
Air vent function	None	Upstream Air Vent
Screw size of air vent cap	-	G 1/4
Maximum Operating Pressure	Refer to housing design pressure.	
Maximum ΔP (Capsule Filter)	Refer to the maximum ΔP in the built-in filter cartridge catalog. However, cannot be used above the maximum operating pressure.	
Maximum Operating Temp (Capsule Filter)	40°C (104°F)	

*When using Ez-change capsules, be sure to use the holder.

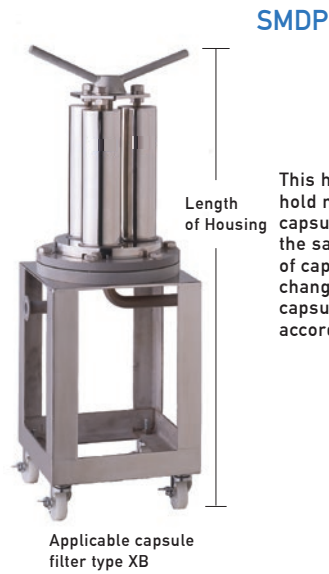
Capsule Filter Cartridge Ordering Information

Length	Filter Cartridge Product Type	Micron Rating	O-Ring	Product Type of Capsule Filter Cartridge
<div style="display: flex; justify-content: space-around; align-items: center;"> 2 5 0 L </div>	<div style="display: flex; justify-content: space-around; align-items: center;"> S H P </div>	<div style="display: flex; justify-content: space-around; align-items: center;"> 0 3 0 </div>	<div style="display: flex; justify-content: space-around; align-items: center;"> S </div>	<div style="display: flex; justify-content: space-around; align-items: center;"> X B </div>
<p>62.5 = 62.5 mm</p> <p>125 = 125 mm</p> <p>250 = 250 mm</p> <p>500 = 500 mm</p>	<p>Please check the "Applicable capsules list for each product type" for compatible part numbers.</p>		<p>None = EPDM</p> <p>S = Silicone</p> <p>N = NBR</p> <p>V = FKM</p>	<p>XB = No Air Vent</p> <p>AD = With Primary Air Vent, Dome-Shaped</p>

Capsule Filter Housing Lineup



Both XB and AD types share the same base, so capsule filter cartridges of different lengths and shapes can be used by replacing the holder for each type.



This housing is designed to hold multiple (3 or 6) single capsule filter cartridges at the same time. The number of capsules used can be changed by using dummy capsules (sold separately) according to the throughput.

Capsule Filter Housing Specifications

Product Type	SIDP		SMDP			
	XB	AD	XB			
Capsule filter cartridge type						
Length of Built-in Filter Cartridge	62.5 / 125 / 250 / 500 mm		250	250	500	500
No. of built-in filters	1 pc		3 pcs	6 pcs	3 pcs	6 pcs
Length of Housing	150 / 216 / 346 / 596 mm	193 / 259 / 383 / 633 mm	880 mm	890 mm	1130 mm	1140 mm
Length between Inlet and Outlet	181 mm		350 mm	500 mm	350 mm	500 mm
Connecting diameter/configuration	IDF 1S•Ferrule		IDF 1S •Ferrule	IDF 1.5S •Ferrule	IDF 1S •Ferrule	IDF 1.5S •Ferrule
Housing material	SUS 304 (Liquid contact area : Conductive FEP coating)					
Designed operating pressure (Housing)	0.69MPa (100psi)					
Designed operating temperature (Housing)	40°C (104°F)					

*If you need further information on specifications (length, end cap type, etc.), please contact us.
*When using Ez-change capsules, be sure to use the holder.

Capsule Filter Housing Ordering Information

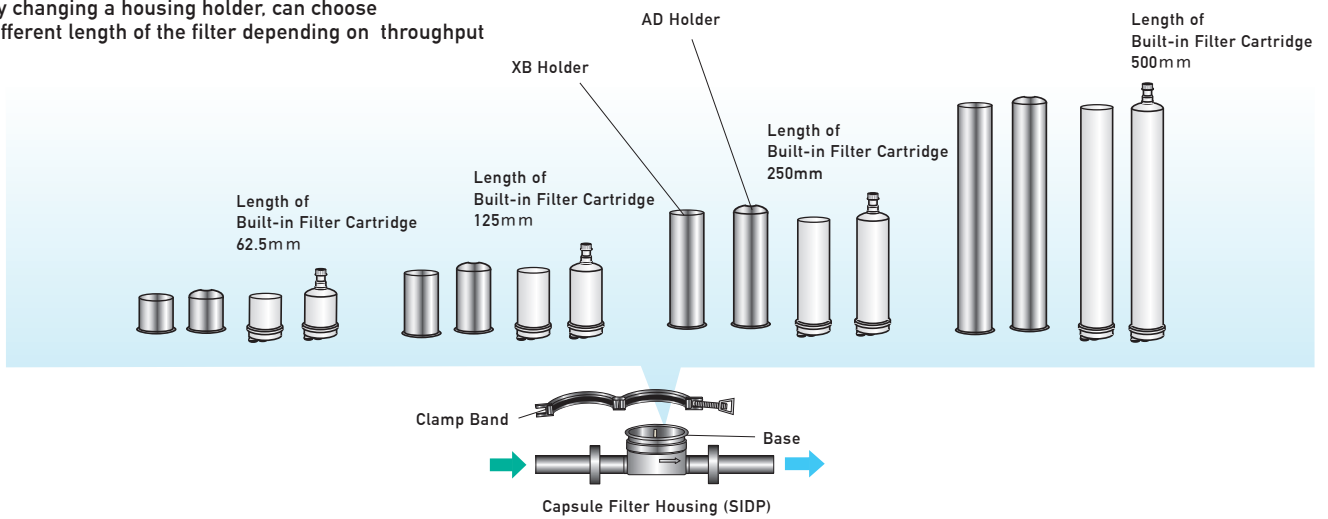
Housing Type	Length of Built-in Filter Cartridge	Number of Built-in Filters	Connecting diameter/configuration	Product Type of Capsule Filter Cartridge
SIDP-	2 5 0 ▼ 62.5 = 62.5 mm 125 = 125 mm 250 = 250 mm 500 = 500 mm	- 1 - ▼ 1 = 1pc	1S- ▼ 1S = IDF 1S•Ferrule	A D ▼ XB = No Air Vent AD = With Primary Air Vent, Dome-Shaped
SMDP-	2 5 0 ▼ 250 = 250 mm 500 = 500 mm	- 3 - ▼ 3 = 3pcs 6 = 6pcs	1 S - ▼ 1S = IDF 1S•Ferrule 1.5S = IDF 1.5S•Ferrule	XB

*The housing with three capsules has a 1S type connection.
*The housing with six capsules has a 1.5S type connection.

Accessory Parts

Process Volume Change Housing Holders

By changing a housing holder, can choose different length of the filter depending on throughput

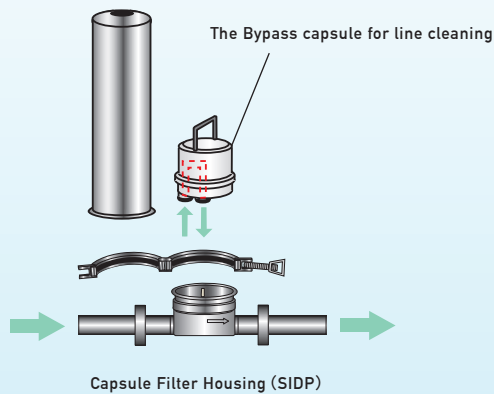


Line Cleaning Bypass Capsule



This is a part made of polypropylene for making a bypass from inlet to outlet of the housing.

- In-line Cleaning can be performed easily.
- The recombination work of line piping is unnecessary at the time of cleaning.



Accessory Ordering Information

B – XB Bypass Capsule



[Accessory Parts]

B – XB Bypass Capsule

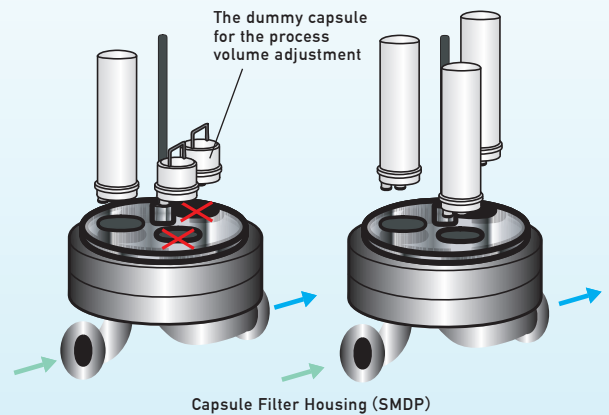
(Available for Capsule Filter Housing SIDP / SMDP)

Process Volume Adjustment Dummy Capsule



Exclusive part made of polypropylene for SMDP housing. By using this part, it enables to change the number of capsule filters.

- Depending on the throughput, it allows to change the number of capsule filters.



Accessory Ordering Information

SMDC Dummy Capsule



[Accessory Parts]

SMDC Dummy Capsule

(Available for Capsule Filter Housing SMDP)

*Please contact us for other accessories (housing holders, check valve actuating pin, etc.).

*The contents of the catalog are subject to change without notice.

*When used for filtration of organic solvents, antistatic measures may be required.

*The performance data listed in the catalog are Typical values obtained under specific conditions based on our tests.

ROKI GROUP International Pte. Ltd.

6-20-12, Minami-Oi, Shinagawa-ku Tokyo, 140-0013 Japan

TEL: +81-3-5764-1131 FAX: +81-3-5764-0681

www.rokiglobal.com

Manufacturing is based on our Quality Management Systems that meet ISO9001 standards.

Scope

Design, Development, manufacture, and sales of filter cartridges, housings and filtration equipment.



JQA-QMA16323

MIS CM009

22nd Issue
XB_AD210322E